

S-BEAM LOADCELLS SEJ

TRACTION & COMPRESSION



FUNCTION

High precision loadcells for tension & compression, recommended for all high precision measurements, test benches, laboratory tests.

Usable with load rings or buttons for better performance.

«S» load cells provide superior performance in compact packaging.

The special steel body is protected against corrosion by electrolytic nickel deposition.



- Traction & compression
- Capacities from 15 daN to 3000 daN
- Very good mechanical properties
- Treated steel - IP 64 Protection class

TECHNICAL INFORMATION

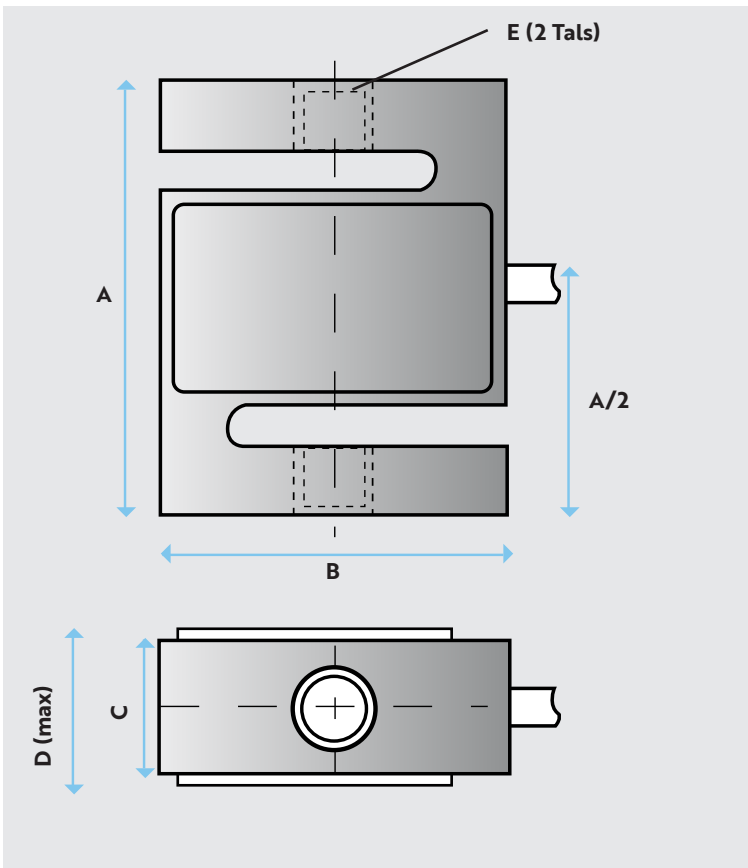
Output impedance	350 Ohms
Output Signal	2 mV/V
Construction	Treated steel, chemical nickel plating
Power supply (Max)	10 V (Max 15V)
No linearity	0,02% F.S (Full scale)
Hysteresis	0,02% F.S (Full scale)
Repeatability	0,02% F.S (Full scale)
Safe overload	150% F.S (Full scale)
Ultimate overload	300% F.S (Full scale)
Cable length	3 meters

CAPACITIES (daN)

15	30	60	100	150	200
300	450	600	1000	1500	3000

OPTIONS

Alloy steel lifting rings
Rings
Rod ends
Clevis Fork
Load buttons
Custom cable length



CAPACITIES

Capacities	DIMENSIONS (mm)					Weight
	A	B	C	D	E	(g)
15-30-60-100 daN	63.5	51	12.7	17	M6	290
150-200-300-450 daN	63.5	17	19	23	M12	400
600 daN	63.5	17	25.4	30	M12	500
1000 daN	76.2	17	25.4	30	M12x1.75	500
1500-3000 daN	108	76	25.4	30	M18x1.5	500

- Connected with ACRN measurement consoles
- French COFRAC traceable calibration ISO17025