

COMPRESSION LOADCELLS

FJ

MINIATURE BUTTON LOADCELL

FUNCTION

FJ series miniature low-profile load cells are compression load cells with excellent long-term stability. An all stainless steel construction ensures reliability in severe industrial environments.

These cells are designed to be mounted on a flat surface, and a load button is integral to their basic design.

- **Hight accuracy**
- **Capacities from 100 N to 200 kN**
- **Low profile & miniature size**
- **Stainless steel**

TECHNICAL INFORMATION

Excitation	10V dc
Output Signal	2 mV/V
Linearity	0,25 % P.E (full scale)
Hysteresis	0,25 % F.S
Repeatability	0,10 % F.S
Zero Balance	+/- 2 % F.S
Operating Temp Range	-54 to 121°C
Compensated Temp Range	16 to 71°C
Safe overload	150% of capacity
Ultimate overload	300% of capacity
Bridge resistance	350 Ohms minimum
Deflection	0,076 mm
Cable length	1,5 m

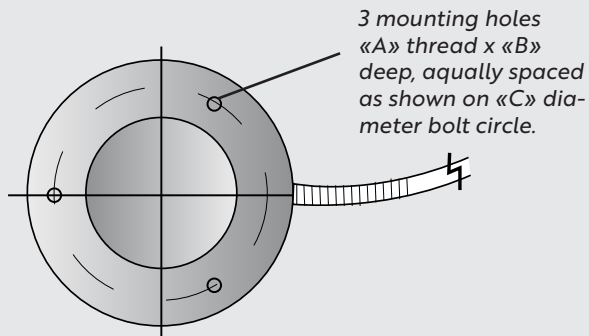
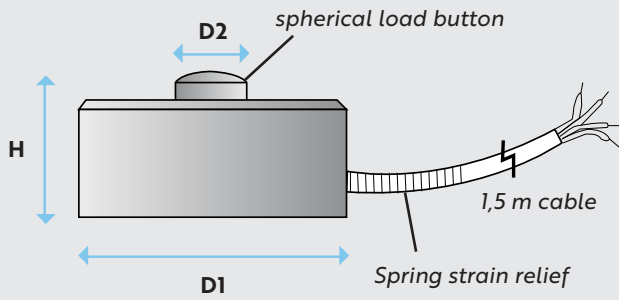


Connected with ACRN measurement consoles



13 CAPACITIES

N	Lb
100	22,5
200	45
500	112
1000	225
2000	450
5000	1124
10 000	2248
20 000	4496
50 000	11 240
60 000	13 488
80 000	17 984
120 000	26 976
200 000	44 960



Red +Al
Black - Al

White + Out
Green - Out

Dimensions: mm



● **Delivered with:**

A calibration certificate ACRN

DIMENSIONS (MM)

CAPACITY (N)	D1	D2	H	L	A	B	C
100 to 500	25	5,3	16	1,3	M 4x0,7	4,8	19,1
1 000 to 10 000	32	8,1	10	1,8	M 4x0,7	6,4	25,4
20 000 to 50 000	38	11	16	2,0	M 4x0,7	6,4	31
60 000 to 120 000	51	15	25	3,0	M 4x0,7	6,4	41,3
200 000	76	20	38	4,6	M 4x0,7	6,35	60,3